

Darshan

Valve & Controls

CAST GATE VALVE

O.S. & Y Bolted Bonnet, Flanged end

Size Range :

ASA 150# 15mm to 800 mm

ASA 300# 40mm to 300 mm

ASA 600# 40mm to 200 mm

DESIGN FEATURES

- ❖ Mfg Std. API 600 / BS 1414 / ANSI B 16.34
- ❖ Face to Face As per ANSI B 16.10
- ❖ Ends Flanged & Drilled as per ANSI B-16.5 R.F.
- ❖ Tested as per BS 5146 / API 598

MATERIAL OF SPECIFICATION

Sr. No.	Material of Construction	Carbon Steel	Stainless Steel	
			CF8	CF8M
1	Body	ASTMA216Gr. WCB	ASTMA351 Gr. CF8	CF8M
2	Bonnet	WCB	CF8	CF8M
3	Wedge	ASTM A 216 Gr. WCB With 13% Cr. facing	CF8	CF8M
4	Seat Ring	Carbon Steel With 13% Cr. Facing	CF8	CF8M
5	Gasket	Spiral Wound + Graphite	Spiral Wound + PTFE	
6	Bonnet Stud & Nut	ASTM A 193 B7 / 194 Gr. 2H	SS 304	SS 316
7	Bonnet Bush	SS 410	SS 304	SS 316
8	Spindle	SS 410	SS 304	SS 316
9	Gland Packing	100 % Graphite	PTFE	
10	Gland	SS 410	SS 304	SS 316
11	Gland Flange	Carbon Steel	SS 304	SS 316
12	Yoke Sleeve	Ni Resist / Cast Iron	Ni Resist	
13	Yoke Bush	Carbon Steel	SS 304	SS 316
14	Hand Wheel	Malleable / Cast Iron		

Also available in hard face with Stellate Seat Ring & Wedge.

DIMENSIONS (IN MM)

NB	A	D	E	F	H	K	M
40	165	125	14.7	73	4	16.0	98.4
50	178	150	16.3	92	4	19.0	120.6
65	191	180	17.9	105	4	19.0	139.7
80	203	190	19.5	127	4	19.0	152.4
100	229	230	24.3	157	8	19.0	190.5
150	267	280	25.9	216	8	22.0	241.3
200	292	345	29.0	270	8	22.0	298.5
250	330	405	30.6	324	12	25.0	361.9
300	355	485	32.2	381	12	25.0	431.8
350	381	535	35.4	413	12	28.5	476.2
400	406	595	37.0	470	16	28.5	539.7

AS WE CONTINUOUSLY ENDEAVOUR TO IMPROVE OUR PRODUCTS, THE DATA, DIMENSIONS, SPECIFICATIONS & DRAWINGS GIVEN HEREIN ARE SUBJECT TO CHANGE.

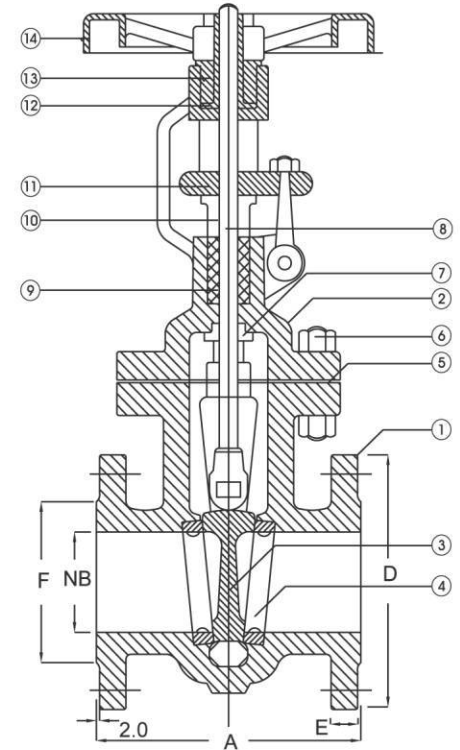
Manufactured By :



Darshan
Valve & Controls

MANUFACTURER INDUSTRIAL VALVES

42, Sheeji Industrial Estate, Raipur Mill Compound, Saraspur, Ahmedabad - 380 014. (Guj.) INDIA.
Ph.: +91 79 2277 2229 M.: +91 9879546750 E-mail: darshanvalve@gmail.com Website: safetyvalve.in



'H' NOS 'K' Ø HOLES ON 'M' P.C.D.
DRILLED OFF CENTRE EQUISPACED

TEST PRESSURE

Test	Pressure	150 Class	300 Class	Testing Medium
Body	PSIG	450	1125	Water
	Kg/cm ²	30	77	
Seat & Backseat	PSIG	325	825	Water
	Kg/cm ²	22	57	
Seat leak	PSIG	60 to 100		Air
	Kg/cm ²	4 to 6		